

SEARS

PARTS MANUAL

MODEL NO.
919.153470



CRAFTSMAN. "TWIN-V" OILFREE AIR COMPRESSOR

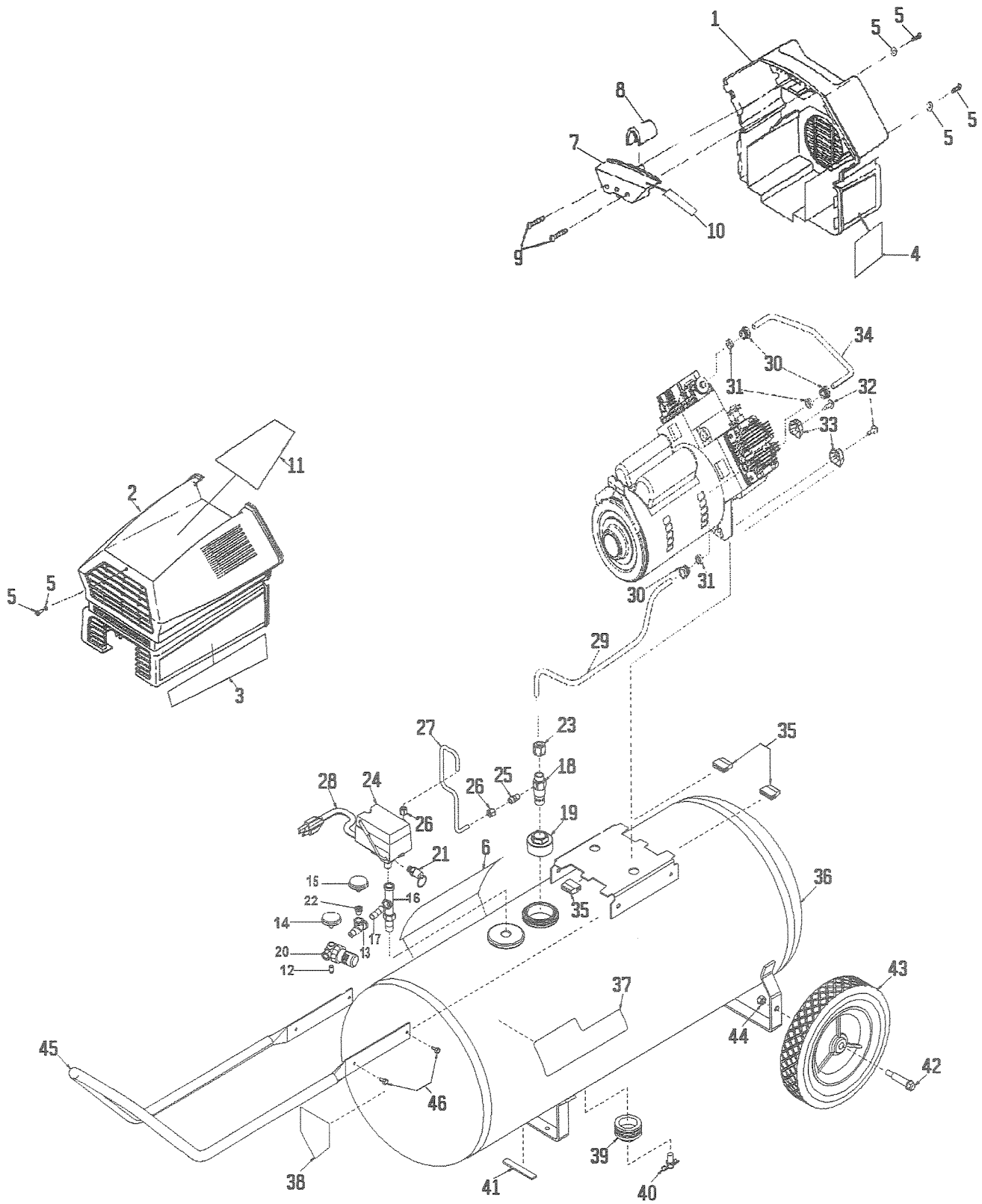
SPECIFICATION CHART

| | |
|------------------------------------|-------------------|
| Model No. | 919.153470 |
| Horsepower | 3½ |
| Displacement CFM | 10.6 |
| Bore | 2 3/8" |
| Stroke | 1.2" |
| Voltage-Single Phase | 120/240 |
| Minimum Branch Circuit Requirement | 15 amps |
| Fuse Type | Time Delay |
| Air Tank Capacity - GAL | 20 Gal. ASME |
| Approximate Cut-in Pressure | 100 |
| Approximate Cut-out Pressure | 125 |
| SCFM @ 40 psig | 8.5 |
| SCFM @ 90 psig | 6.4 |
| U. L. Listed | Yes |

IMPORTANT:
Read the Safety Guidelines and
All Instructions Carefully Before
Operating.

Sears, Roebuck and Co., Hoffman Estates, IL 60179 U.S.A.

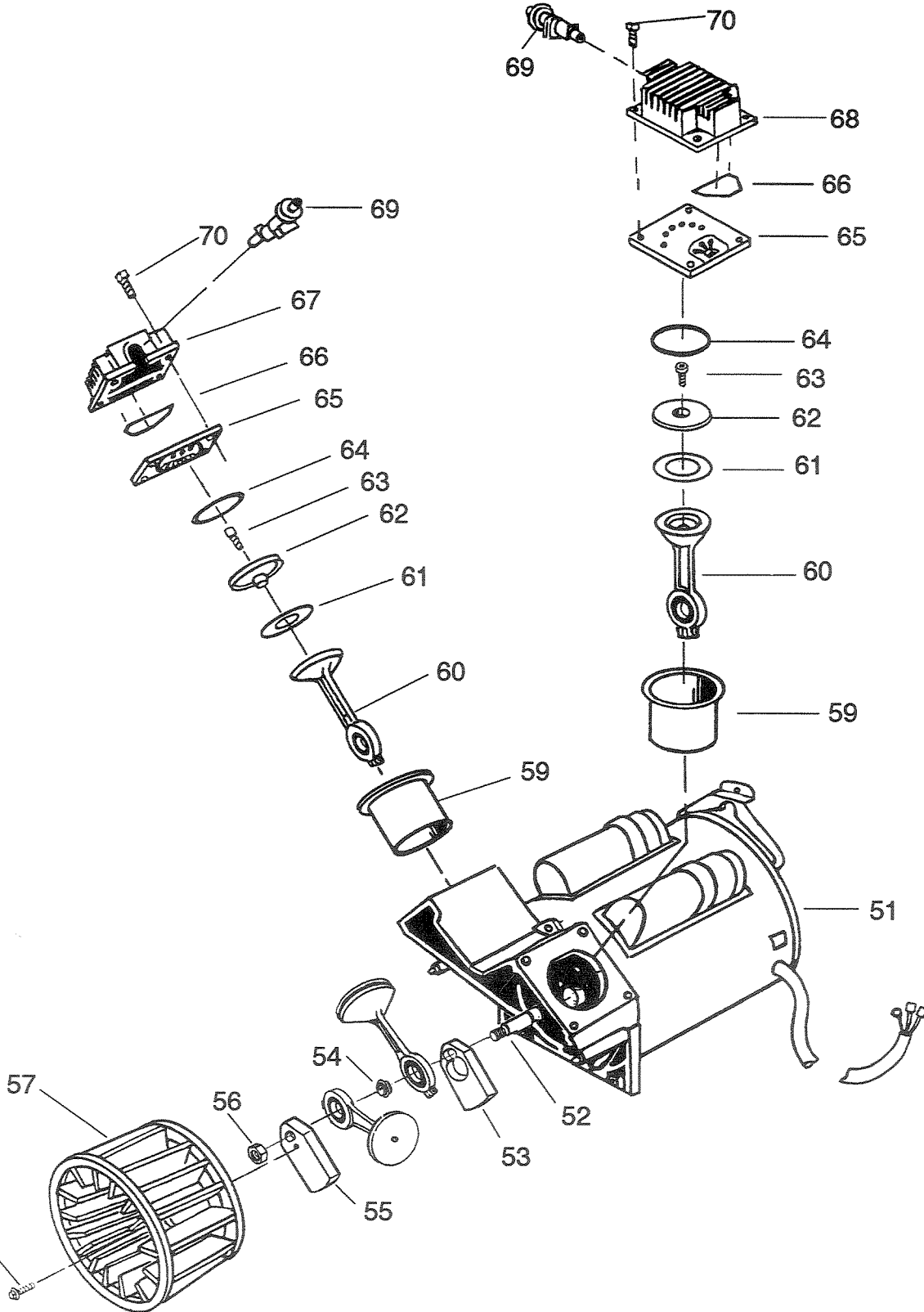
AIR COMPRESSOR DIAGRAM



PARTS LIST

| <u>KEY NO.</u> | <u>PART NUMBER</u> | <u>DESCRIPTION</u> |
|----------------|--------------------|--|
| 1 | ACG-14 | Shroud, Front |
| 2 | AC-0030 | Shroud, Rear |
| 3 | LA-2840 | Label, Billboard, Sears |
| 4 | LA-2839 | Label, Performance 3½ HP |
| 5 | ACG-408 | Fastener Assembly (3 used: Torque 33-38 in.-lbs) |
| 6 | LA-2643 | Label, Warning |
| 7 | ACG-13 | Cover, Intake Muffler |
| 8 | ACG-12 | Filter Element |
| 9 | SSF-554 | Screw, #10-14 x 2.5 Pan Head (2 used) |
| 10 | LA-2616 | Label, Air Filter Cover |
| 11 | CL-726 | Label, Spec |
| 12 | SS-1215 | Pipe Plug |
| 13 | AC-0185 | Street Tee |
| 14 | GA-352 | Regulated Pressure Gauge |
| 15 | GA-352 | Tank Pressure Gauge |
| 16 | AC-0027-1 | Manifold |
| 17 | SS-2071 | Nipple, 1/4 - 18 NPT x 1.5 |
| 18 | CAC-4290-3 | Check Valve |
| 19 | SSP-485 | Reducer |
| 20 | AC-0007 | Regulator |
| 21 | 97503734 | Safety Valve |
| 22 | SSP-6021 | Bushing Reducer 1/8 - 1/4 NPT |
| 23 | SSP-7813 | Nut/Sleeve Assy. |
| 24 | AC-0008 | Pressure Switch |
| 25 | SS-8553 | Connector Body |
| 26 | SSP-7811 | Nut/Sleeve Assy. (2 used) |
| 27 | AC-0028 | Pressure Relief Tube |
| 28 | SUDL-413-2 | Cord Assembly |
| 29 | AC-0098 | Outlet Tube |
| 30 | SSP-7821-1 | Nut Brass Compression (3 used) |
| 31 | SSG-3105 | O-Ring(3 used) |
| 32 | SSF-927 | Screw, 1/4" - 20 x 1 1/8" (2 used) |
| 33 | ACG-18 | Cup, Saddle Mount (2 used) |
| 34 | AC-0099 | Outlet Tube |
| 35 | ACG-19 | Isolator (3 used) |
| 36 | TA-4359 | Tank - 20 Gallon |
| 37 | LA-2841 | Label, Sears Industrial |
| 38 | LA-1978-1 | Label, Drain Tank |
| 39 | SSP-470 | Hex Reducer Bushing |
| 40 | SS-2707 | Drain Valve |
| 41 | SUDL-6-1 | Strip, Rubber Foot |
| 42 | CAC-60 | Shoulder Bolt (2 used) |
| 43 | AC-0014 | Wheel - 9" (2 used) |
| 44 | SSF-8080-ZN | Nut, Hex 3/8" (2 used) |
| 45 | AC-0002 | Handle |
| 46 | SSF-981 | Screw (4 used) |

COMPRESSOR PUMP DIAGRAM



PARTS LIST

| <u>KEY NO.</u> | <u>PART NUMBER</u> | <u>DESCRIPTION</u> |
|----------------|--------------------|--|
| 51 | MO-9065 | Motor |
| 52 | ACG-8 | Pin, Eccentric |
| 53 | ACG-6 | Counter Balance, Inner |
| 54 | ACG-9 | Washer |
| 55 | ACG-7 | Counter Balance, Outer |
| 56 | ACG-23 | Nut (Torque 85-90 ft.-lbs.) |
| 57 | ACG-22 | Fan |
| 58 | 39124607 | Screw, Self Tap 1/4 x 5/8 (Torque 130-145 in.-lbs.) |
| 59 | CAC-249-3 | Sleeve, Cylinder (2 used) |
| 60 | ACG-65 | Connecting Rod (2 used) |
| 61 | DAC-308 | Compression Ring (2 used) |
| 62 | ACG-29 | Connecting Rod Cap (2 used) |
| 63 | SSF-3158-1 | Screw, 10-24 x .75 (2 used: T25 Torx HD) |
| 64 | SSG-8156 | O-Ring (2 used) |
| 65 | AC-0032 | Valve Plate Assembly (2 used) |
| 66 | ACG-45 | O-ring, Perm Lube Head (2 used) |
| 67 | AC-0038 | Head, Left |
| 68 | AC-0037 | Head, Right |
| 69 | ACG-11 | Muffler, Intake (2 used) |
| 70 | SSF-927 | Screw, 1/4" - 20 x 1 1/8" (8 used: Torque 7-10 ft.-lbs.) |

NOT ILLUSTRATED

| | |
|--------------|-----------------------------|
| M-153470 | Parts Manual |
| MG1-PERMTWIN | Owner's Manual |
| AC-0180 | Quick Disconnects Adaptor |
| SS-2071 | Nipple 1/4 - 18 NPT x 1.5 |
| SS-1215 | Pipe Plug 1/8" (2 supplied) |

- Key No's 59, 60, 61, 62, 63, 64, & 66 can be purchased as KK-5081, Connecting Rod Kit.
- + Key No's 59, 61, & 63 can be purchased as K-0058, Compression Ring Kit.

SERVICE NOTES

SERVICE NOTES

SEARS

PARTS MANUAL

MODEL NO.
919.153470

When requesting service or ordering parts, always provide the following information:

- Model Number
- Part Number
- Part Description
- Name of Item

FULL ONE YEAR WARRANTY AIR COMPRESSOR

If this air compressor fails due to a defect in material or workmanship within one year from the date of purchase, RETURN IT TO THE NEAREST SEARS REPAIR CENTER THROUGHOUT THE UNITED STATES AND SEARS WILL REPAIR IT, FREE OF CHARGE.

If this air compressor is used for commercial or rental purposes, the warranty will apply for ninety days from the date of purchase.

This warranty gives you specific legal rights and you may have other rights which vary from state to state.

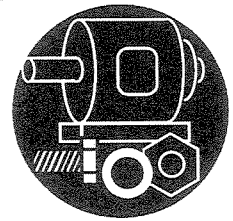
CRAFTSMAN[®] PERMANENTLY LUBRICATED AIR COMPRESSOR

For the repair or replacement parts you need

Call 7 am - 7 pm, 7 days a week

1-800-366-PART

(1-800-366-7278)



For in-home major brand repair service

Call 24 hours a day, 7 days a week

1-800-4-REPAIR

(1-800-473-7247)



For the location of a
Sears Parts and Repair Center in your area

Call 24 hours a day, 7 days a week

1-800-488-1222



For information on purchasing a Sears
Maintenance Agreement or to inquire
about an existing Agreement

call 9 am - 5 pm, Monday-Saturday

1-800-827-6655



SEARS
REPAIR SERVICES
America's Repair Specialists

Sears, Roebuck and Co., Hoffman Estates, IL 60179 U.S.A.